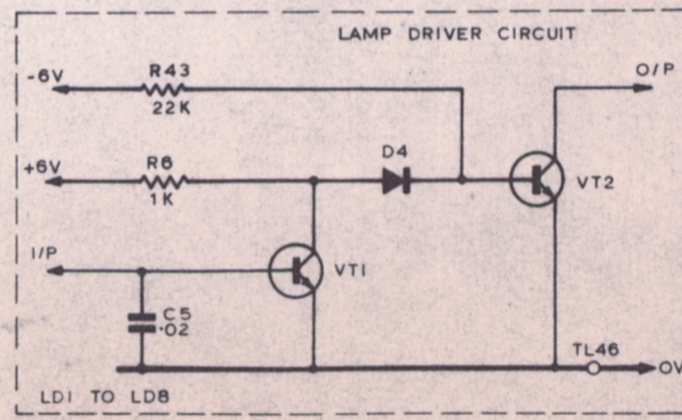
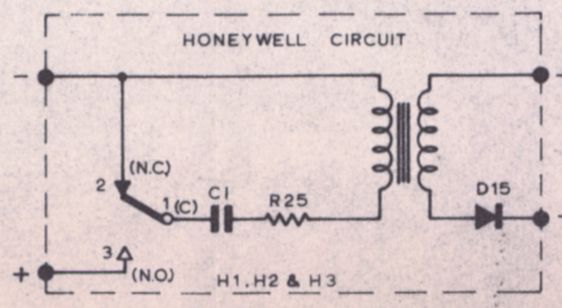
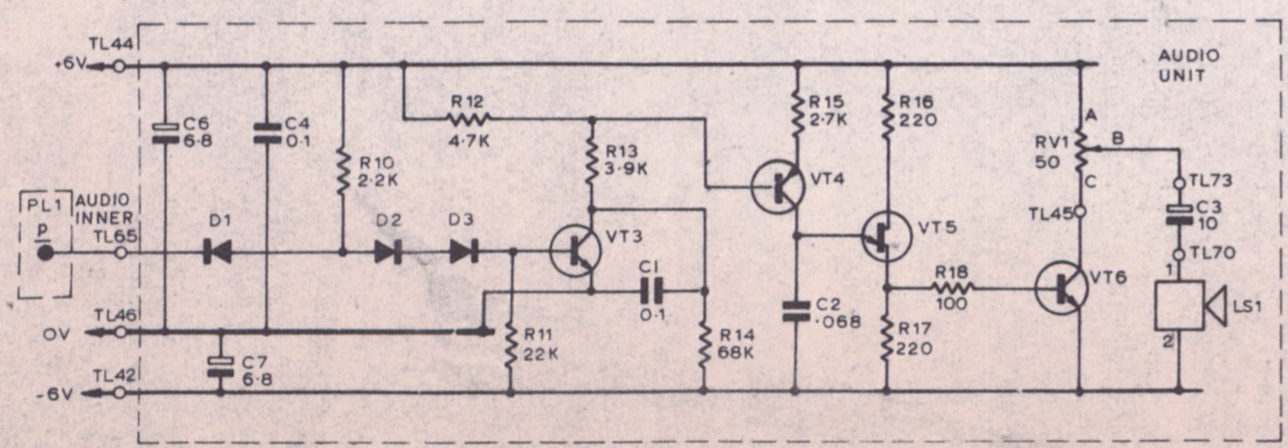
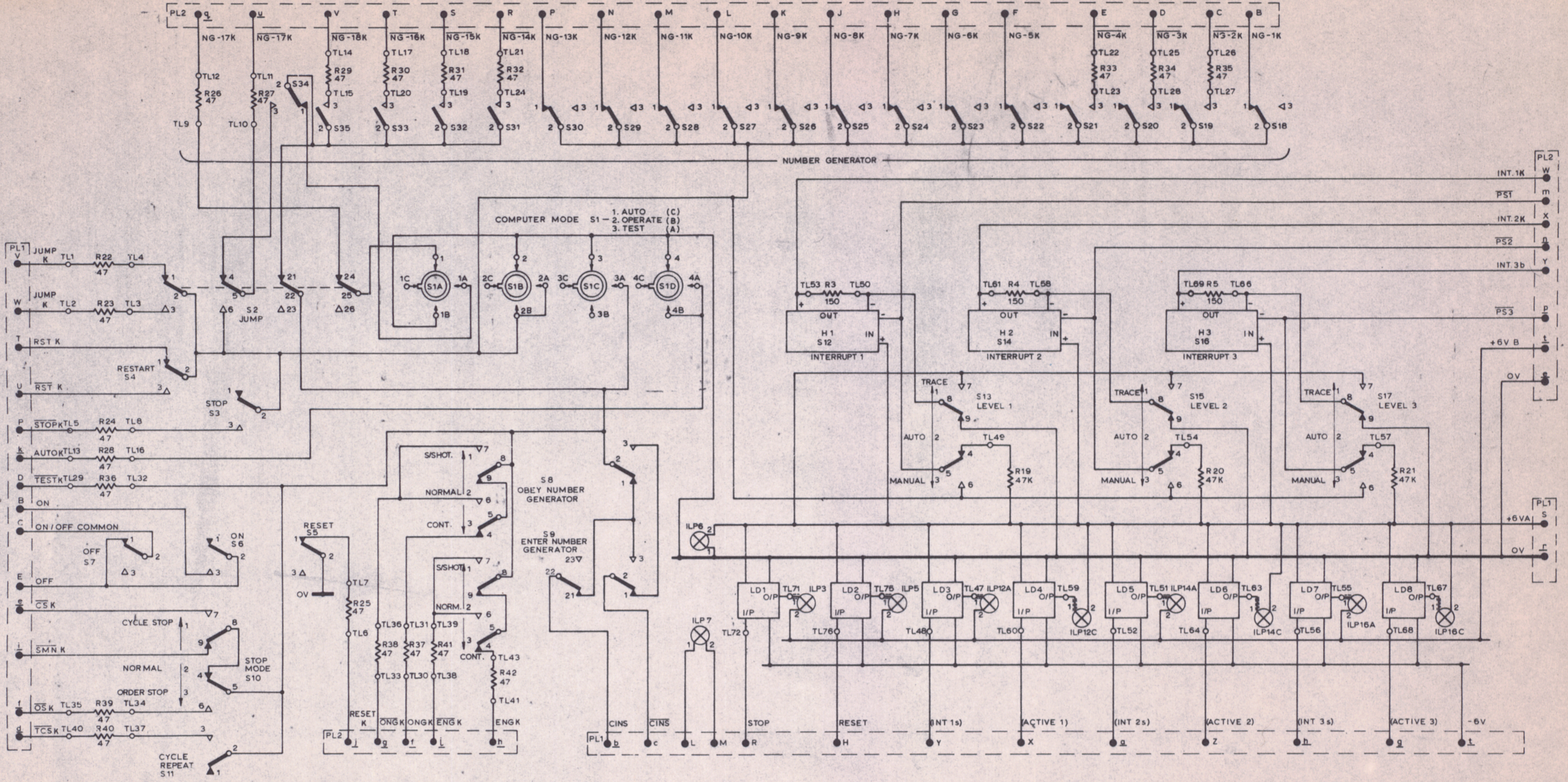


1767 0 228

THIRD ANGLE PROJECTION

DIMENSIONS IN INCHES UNLESS OTHERWISE STATED

DO NOT SCALE DRAWING



NOTE: ALL INDICATOR LAMPS ARE LOCATED IN SWITCHES OF THE SAME NUMBER.

TITLE: 920 B CONTROL UNIT CIRCUIT DIAGRAM.

A22

LATEST MI INCORPORATED: M1-2989 ~~2716~~ 2811

ISSUE No.	6	7				MATERIAL	FINISH	ELLIOTT BROTHERS (LONDON) LTD	
ALTN No.	1681	1876						TITLE	SCALE
DATE	29.10.51-67	66						920B CONTROL UNIT CIRCUIT DIAGRAM	322 D 4941
INITIALS	S.N. 0.5								
PARTS LIST No.									
DRAWN	SNIBLETT.	CHECKED	APPROVED	DATE	5-11-66	TOLERANCES DECIMAL: FRACTIONAL: ANGULAR DIMENSIONS: UNLESS OTHERWISE STATED			